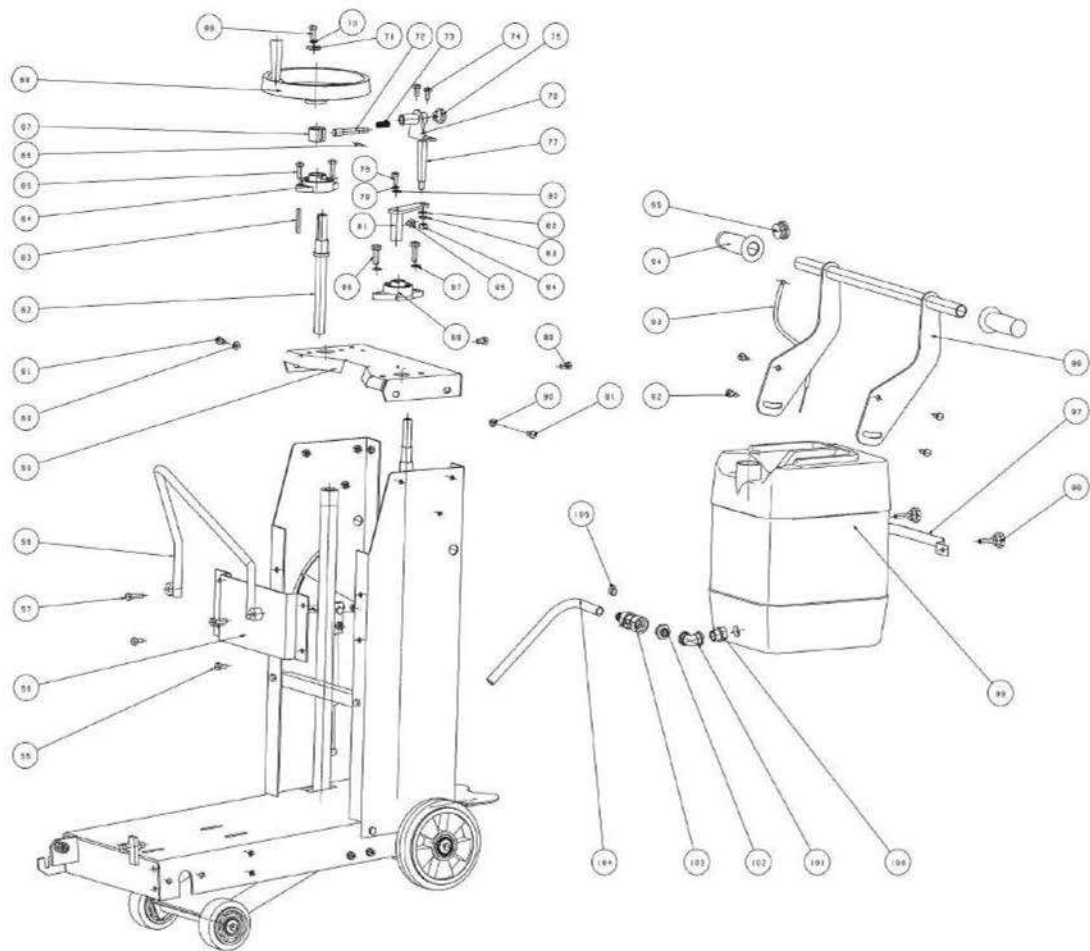


### PARTS LIST 1

| ITEM | PART NO. | DESCRIPTION            | QTY |
|------|----------|------------------------|-----|
| 1    | 450F001  | BELT GUARD             | 1   |
| 2    | 450F002  | BOLT M8X16             | 1   |
| 3    | 450F003  | BOLT M8X16             | 1   |
| 4    | 450F004  | BOLT M8X16             | 2   |
| 5    | 450F005  | HEX BOLT M10X20        | 1   |
| 6    | 450F006  | SPRING WASHER 10       | 1   |
| 7    | 450F007  | WASHER 10X38X5         | 1   |
| 8    | 450F008  | PULLEY                 | 1   |
| 9    | 450F009  | KEY 8 X 50             | 1   |
| 10   | 450F010  | INSIDE HEX BOLT M10X35 | 2   |
| 11   | 450F011  | WASHER 10              | 2   |
| 12   | 450F012  | BEARING LF205          | 1   |
| 13   | 450F013  | WASHER 10              | 2   |

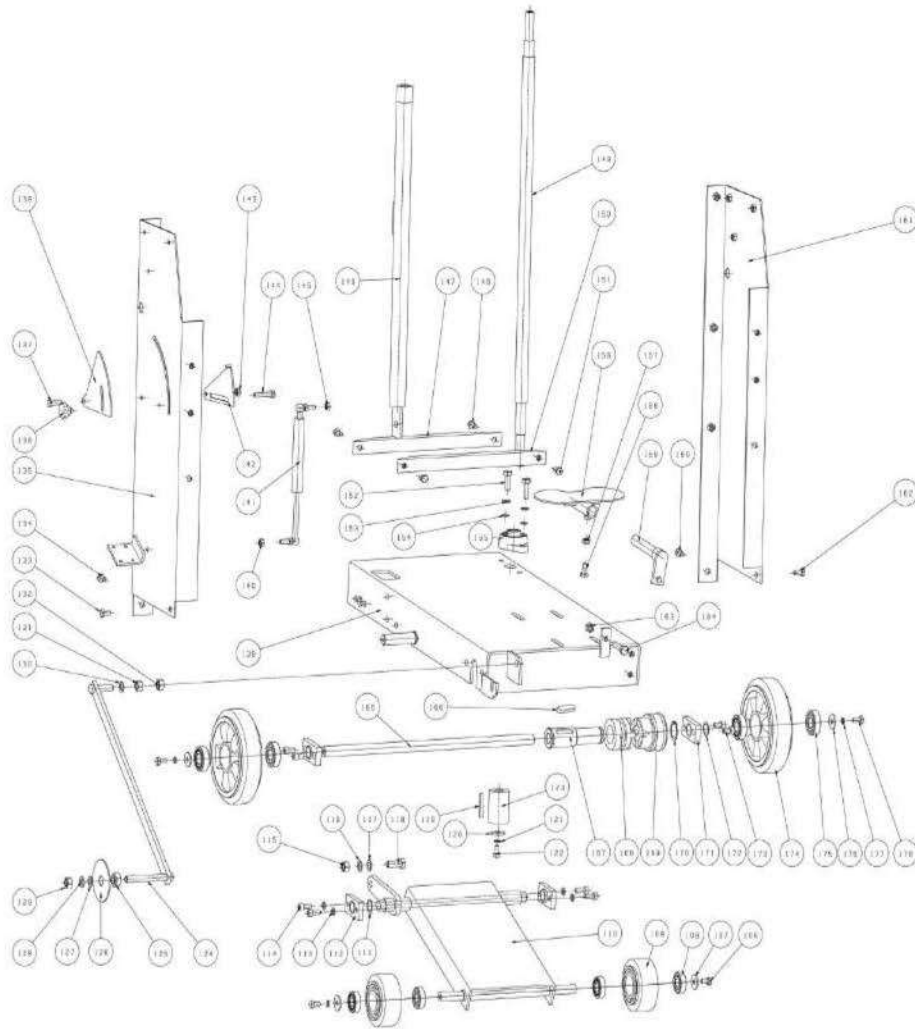
|    |         |                             |   |
|----|---------|-----------------------------|---|
| 14 | 450F014 | SPRING WASHER 10            | 2 |
| 15 | 450F015 | NUT 10                      | 2 |
| 16 | 450F016 | REAR AXIS                   | 1 |
| 17 | 450F017 | NUT 10                      | 2 |
| 18 | 450F018 | NUT 10                      | 2 |
| 19 | 450F019 | WASHER 10                   | 2 |
| 20 | 450F020 | BEARING LF205               | 1 |
| 21 | 450F021 | WASHER 10                   | 2 |
| 22 | 450F022 | INSIDE HEX BOLT M10X35      | 2 |
| 23 | 450F023 | BLADE FLANGE (INNER)        | 1 |
| 24 | 450F024 | KEY 5 X 18                  | 1 |
| 25 | 450F025 | PIN $\phi$ 10X35            | 1 |
| 26 | 450F026 | LASER WELDING DIAMOND BLADE | 1 |
| 27 | 450F027 | BLADE FLANGE (OUTER)        | 1 |
| 28 | 450F028 | WASHER 12x32                | 1 |
| 29 | 450F029 | SPRING WASHER 12            | 1 |
| 30 | 450F030 | BOLT M8X16                  | 1 |
| 31 | 450F031 | HEX BOLT M12X25             | 1 |
| 32 | 450F032 |                             |   |
| 33 | 450F033 |                             |   |
| 34 | 450F034 | HEX NUT M8                  | 2 |
| 35 | 450F035 | WASHER 8                    | 2 |
| 36 | 450F036 | PROTECTIVE MAT              | 1 |
| 37 | 450F037 | WASHER 10x32                | 1 |
| 38 | 450F038 | SPRING WASHER 10            | 1 |
| 39 | 450F039 | HEX BOLT M10X20             | 1 |
| 40 | 450F040 | WASHER 8                    | 2 |
| 41 | 450F041 | HEX BOLT M8X25              | 2 |
| 42 | 450F042 | BLADE GUARD                 | 1 |
| 43 | 450F043 | ENGINE                      | 1 |
| 44 | 450F044 | PULLEY FOR ENGINE           | 1 |
| 45 | 450F045 | WASHER 10 OR 8              | 1 |
| 46 | 450F046 | KEY 5 X 18                  | 1 |
| 47 | 450F047 | SPRING WASHER 10 or 8       | 1 |
| 48 | 450F048 | BOLT M10 OR M8              | 1 |
| 49 | 450F049 | BELT                        | 1 |
| 50 | 450F050 | BOLT M10                    | 4 |
| 51 | 450F051 | SPRING WASHER 10            | 4 |
| 52 | 450F052 | WASHER 10                   | 4 |
| 53 | 450F053 | WASHER 10x28                | 4 |
| 54 | 450F054 | HEX BOLT M10X45             | 4 |



## PARTS LIST 2

| ITEM NO. | PART NO. | DESCRIPTION                            | QTY |
|----------|----------|--|-----|
| 102      | 450F102  | STUD BOLT 4 TO 6                       | 1   |
| 100      | 450F100  | STUD BOLT WITH COMPOUND GASKET 4       | 1   |
| 101      | 450F101  | INSIDE ANGLE FITTING 4                 | 1   |
| 88       | 450F088  | BEARING FL204 (only semi-automatic)    | 1   |
| 64       | 450F064  | BEARING LF205                          | 1   |
| 77       | 450F077  | HANDLE GRIP M10 (only semi-automatic)  | 1   |
| 83       | 450F083  | SPRING WASHER 10 (only semi-automatic) | 1   |
| 82       | 450F082  | WASHER 10 (only semi-automatic)        | 1   |
| 87       | 450F087  | WASHER 10 (only semi-automatic)        | 1   |
| 66       | 450F066  | PIN ø4                                 | 1   |
| 71       | 450F071  | WASHER 8x32                            | 1   |
| 70       | 450F070  | SPRING WASHER 8                        | 1   |
| 79       | 450F079  | SPRING WASHER 8 (only semi-automatic)  | 1   |
| 60       | 450F060  | WASHER 8                               | 1   |

|     |         |                                       |   |
|-----|---------|---------------------------------------|---|
| 80  | 450F080 | WASHER 8 (only semi-automatic)        | 1 |
| 90  | 450F090 | WASHER 8                              | 1 |
| 105 | 450F105 | ANCHOR EAR                            | 2 |
| 55  | 450F055 | BOLT M8X16                            | 2 |
| 61  | 450F061 | BOLT M8X16                            | 1 |
| 74  | 450F074 | BOLT M8X16                            | 2 |
| 89  | 450F089 | BOLT M8X16                            | 2 |
| 91  | 450F091 | BOLT M8X16                            | 1 |
| 65  | 450F065 | BOLT M8X25                            | 2 |
| 92  | 450F092 | BOLT M8X25                            | 4 |
| 57  | 450F057 | BOLT M8X35                            | 2 |
| 58  | 450F058 | LIFTING HOOK                          | 1 |
| 72  | 450F072 | LOCATING PIN                          | 1 |
| 76  | 450F076 | POSITION BRACKET                      | 1 |
| 94  | 450F094 | RUBBER HANDLE                         | 2 |
| 103 | 450F103 | QUICK JOINT                           | 1 |
| 84  | 450F084 | NUT 10 (only semi-automatic)          | 1 |
| 78  | 450F078 | BOLT M8X20 (only semi-automatic)      | 1 |
| 68  | 450F068 | WHEEL HANDLE                          | 1 |
| 75  | 450F075 | PLUM NUT M8                           | 1 |
| 98  | 450F098 | PLUM BOLT M8X35                       | 2 |
| 63  | 450F063 | KEY 6 X 40                            | 1 |
| 67  | 450F067 | SHAFT SLEEVE                          | 1 |
| 62  | 450F062 | SCREW ARBOR                           | 1 |
| 96  | 450F096 | HANDLE                                | 1 |
| 104 | 450F104 | WATERPIPE                             | 1 |
| 99  | 450F099 | WATER TANK                            | 1 |
| 97  | 450F097 | WATER TANK CLAMP                      | 1 |
| 59  | 450F059 | PANEL BOARD                           | 1 |
| 56  | 450F056 | FRONT PANEL BOARD                     | 1 |
| 86  | 450F086 | HEX BOLT M10X25 (only semi-automatic) | 2 |
| 69  | 450F069 | HEX BOLT M8X25                        | 1 |
| 73  | 450F073 | SPRING                                | 1 |
| 95  | 450F095 | THROTTLE CONTROL                      | 1 |
| 93  | 450F093 | CABLE                                 | 1 |
| 85  | 450F085 | BOLT M8X10 (only semi-automatic)      | 1 |
| 81  | 450F081 | TURN HANDLE (only semi-automatic)     | 1 |



### PARTS LIST 3

| ITEM NO. | PART NO. | DESCRIPTION                            | QTY |
|----------|----------|--|-----|
| 155      | 450F155  | BEARING FL204 (only semi-automatic)    | 1   |
| 153      | 450F153  | SPRING WASHER 10 (only semi-automatic) | 2   |
| 154      | 450F154  | WASHER 10 (only semi-automatic)        | 2   |
| 128      | 450F128  | SPRING WASHER 12                       | 1   |
| 116      | 450F116  | WASHER 12                              | 1   |
| 117      | 450F117  | WASHER 12                              | 1   |
| 127      | 450F127  | WASHER 12                              | 1   |
| 130      | 450F130  | WASHER 12                              | 2   |
| 112      | 450F112  | BEARING BLOCK A                        | 2   |
| 171      | 450F171  | BEARING BLOCK B                        | 2   |
| 120      | 450F120  | WASHER 8x30 (only semi-automatic)      | 1   |
| 107      | 450F107  | WASHER 8x32                            | 2   |
| 176      | 450F176  | WASHER 8x32                            | 2   |
| 121      | 450F121  | SPRING WASHER 8 (only semi-automatic)  | 1   |

|     |         |  |   |
|-----|---------|--|---|
| 177 | 450F177 | SPRING WASHER 8                        | 2 |
| 113 | 450F113 | WASHER 8                               | 4 |
| 159 | 450F159 | PLUG (only semi-automatic)             | 1 |
| 111 | 450F111 | CORRUGATED GASKET 20                   | 1 |
| 172 | 450F172 | CORRUGATED GASKET 20                   | 1 |
| 139 | 450F139 | BIG BASE PLATE                         | 1 |
| 133 | 450F133 | BOLT M8X16                             | 1 |
| 134 | 450F134 | BOLT M8X16                             | 1 |
| 148 | 450F148 | BOLT M8X16                             | 2 |
| 151 | 450F151 | BOLT M8X16                             | 2 |
| 160 | 450F160 | BOLT M8X16                             | 1 |
| 162 | 450F162 | BOLT M8X16                             | 1 |
| 170 | 450F170 | RETAINER RING 30 (only semi-automatic) | 1 |
| 124 | 450F124 | POINTER                                | 1 |
| 125 | 450F125 | NUT 12                                 | 1 |
| 126 | 450F126 | POINTER WHEEL                          | 1 |
| 110 | 450F110 | BASE PLATE                             | 1 |
| 140 | 450F140 | LOCKNUT M8                             | 1 |
| 174 | 450F174 | REAR WHEEL                             | 2 |
| 165 | 450F165 | REAR AXIS                              | 1 |
| 168 | 450F168 | WORM (only semi-automatic)             | 1 |
| 163 | 450F163 | NUT 10                                 | 1 |
| 115 | 450F115 | NUT 12                                 | 1 |
| 129 | 450F129 | NUT 12                                 | 1 |
| 131 | 450F131 | NUT 12                                 | 1 |
| 132 | 450F132 | NUT 12                                 | 1 |
| 143 | 450F143 | NUT 8                                  | 1 |
| 145 | 450F145 | NUT 8                                  | 1 |
| 157 | 450F157 | NUT 8 (only semi-automatic)            | 1 |
| 136 | 450F136 | PLUM BOLT ø32XM8X8                     | 1 |
| 114 | 450F114 | INSIDE HEX BOLT M8X20                  | 4 |
| 173 | 450F173 | INSIDE HEX BOLT M8X20                  | 4 |
| 119 | 450F119 | KEY 6 X 50 (only semi-automatic)       | 1 |
| 166 | 450F166 | KEY 8 X 20 (only semi-automatic)       | 1 |
| 141 | 450F141 |  | 1 |
| 109 | 450F109 | FRONT WHEEL                            | 2 |
| 146 | 450F146 | CONNECTING STEM                        | 1 |
| 138 | 450F138 | SCALE                                  | 1 |
| 161 | 450F161 | SIDE PLATE A                           | 1 |
| 135 | 450F135 | SIDE PLATE B                           | 1 |
| 147 | 450F147 | REAR PLATE                             | 1 |
| 150 | 450F150 | FRONT PLATE                            | 1 |
| 156 | 450F156 | PEDAL (only semi-automatic)            | 1 |
| 152 | 450F152 | HEX BOLT M10X35 (only semi-automatic)  | 2 |
| 164 | 450F164 | HEX BOLT M10X70                        | 1 |
| 118 | 450F118 | HEX BOLT M12X35                        | 1 |
| 106 | 450F106 | HEX BOLT M8X20                         | 2 |
| 122 | 450F122 | HEX BOLT M8X20 (only semi-automatic)   | 1 |
| 158 | 450F158 | HEX BOLT M8X20 (only semi-automatic)   | 1 |
| 178 | 450F178 | HEX BOLT M8X20                         | 2 |
| 137 | 450F137 | HEX BOLT M8X35                         | 1 |
| 144 | 450F144 | HEX BOLT M8X45                         | 1 |
| 169 | 450F169 | WORM (only semi-automatic)             | 1 |
| 167 | 450F167 | SLEEVE, WORM (only semi-automatic)     | 1 |
| 123 | 450F123 | ENDLESS SCREW (only semi-automatic)    | 1 |
| 142 | 450F142 | POINTER                                | 1 |
| 108 | 450F108 | BEARING 6203                           | 4 |
| 175 | 450F175 | BEARING 6204                           | 4 |
| 149 | 450F149 | MAIN SHAFT (only semi-automatic)       | 1 |