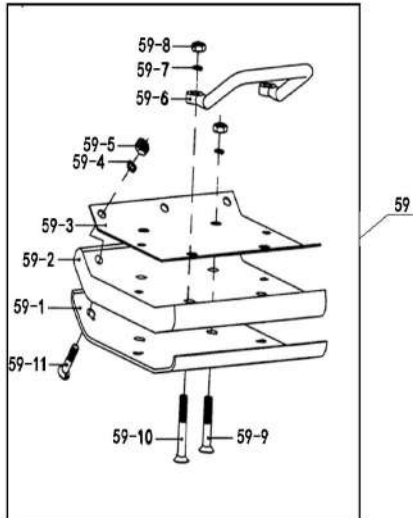
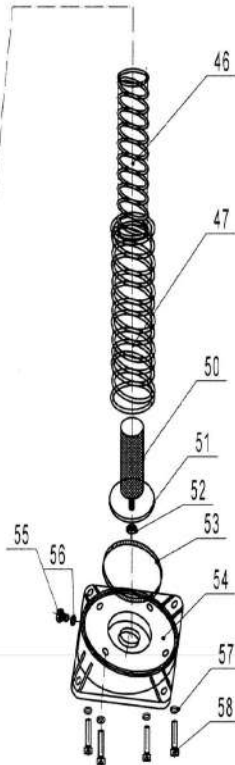
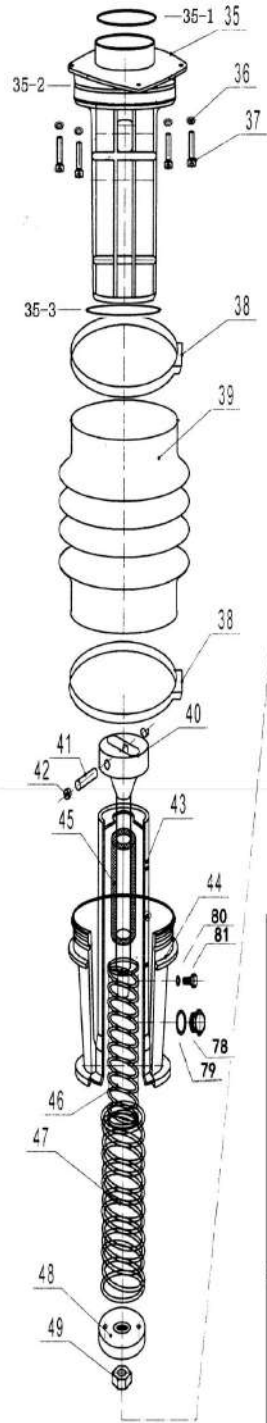
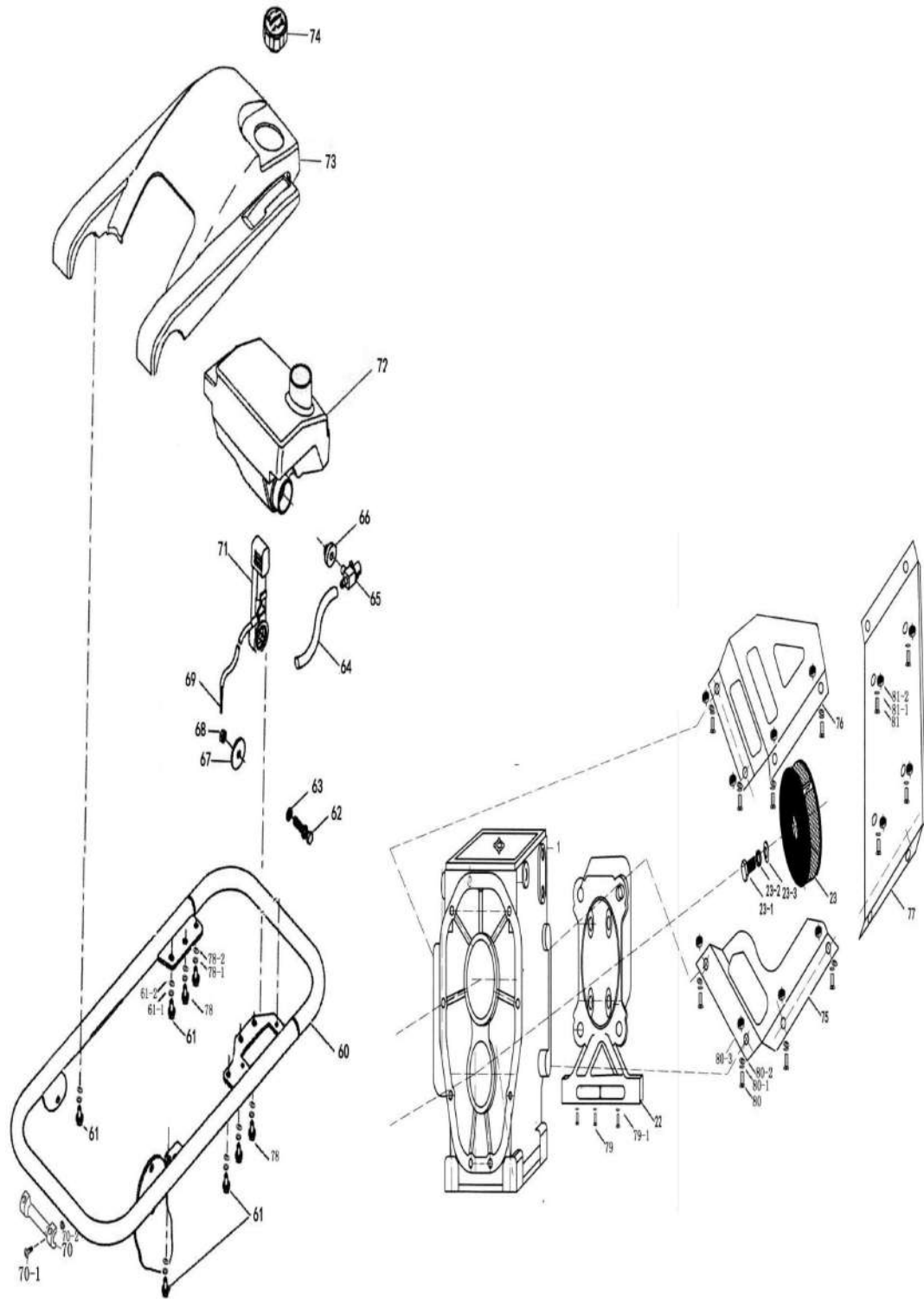


TEM NO	PART NO.	DESCRIPTION	QTY
1	SG70R001	CRANK CASE	1
2	SG70R002	GEAR SHAFT FOR SG70	1
3	6204	BEARING 6204-GB276	1
4	GB1096-5X20	KEY5x20	1
5	6007	BEARING 6007-GB276	1
6	GB3452.1-40x68x8	O-RING 40x68x8-GB3452.1	1
7	SG70R003	CLUTCH DRUM	1
8	GB97.1-8	WASHER 8-GB97.1	1
9	GB93-8	SPRING WASHER 8-GB93	1
10	GB5783-M8X20	BOLT M8X20-GB5783	1
11	GB893.1-52	RETAINING RING 52-GB893.1	1
11-1	GB893.1-20	RETAINING RING 20-GB893.1	1
12	6304	BEARING 6304-GB276	1
13	SG70R004	CONNECTING ROD	1
14	SG70R005	CRANK GEAR	1
15	6207	BEARING 6207-GB276	1
16	6305	BEARING 6305-GB276	1
17	GB893.1-25	RETAINING RING 25-GB893.1	1
17-1	GB893.1-62	RETAINING RING 62-GB893.1	1
18	SG70R006	GEAR COVER	1
19	T5783-M6X20	BOLT M6X20-GB5783	9
20	GB93-6	SPRING WASHER 6-GB93	9
22	SG70R007-1	CONNECTING PLATE FOR SG70H & SG70C	1
	SG70R007-2	CONNECTING PLATE FOR SG70R1	1
	SG70R007-3	CONNECTING PLATE FOR SG70R2	1
	SG70R007-4	CONNECTING PLATE FOR SG70LC & SG80F	1
	SG70R007-5	CONNECTING PLATE FOR SG80H,SG80R2 & SG80LC	1
	SG70R007-6	CONNECTING PLATE FOR SG80D	1
23	SG70R008-1	CLUTCH ASSY. FOR SG70H,SG70C, SG70R1, SG70R2, SG70LC, SG80R1, SG80D	1
	SG70R008-2	CLUTCH ASSY. FOR SG80H,SG80R2 & SG80LC	1
23-1	GB5783-M8X20	BOLT M8X20-GB5783	1
23-2	GB97.1-8	WASHER 8-GB97.1	1
23-3	GB93-8	SPRING WASHER 8-GB93	1
24	SG70R009	VIBRATION DAMPER	2
25	SG70R010	DAMPER PLATE	2
26	GB5783-M8X25	BOLT M8X25-GB5783	6
27	GB93-8	SPRING WASHER 8-GB93	6
27-1	GB97.1-8	WASHER 8-GB97.1	6
28	SG70R011	AIR CLEANER COVER	1
29	SG70R012	KNOB	1
30	SG70R013	AIR CLEANER ELEMENT1	1
31	SG70R014	AIR CLEANER ELEMENT2	1
32	SG70R015	INTAKE PIPE FOR SG70	1
33	SG70R017	HOSE CLAMP 35	1
34	SG70R018	HOSE CLAMP 35	1



35	SG70R019	GUIDE CYLINDER	1
35-1	GB3452.1-99×4	O-RING 99X4-GB3452.1	1
35-2	GB3452.1-150×3.55	O-RING 150X3.55-GB3452.1	1
35-3	GB3452.1-150×3.55	O-RING 150X3.55-GB3452.1	1
36	T93-10	SPRING WASHER 10-GB93	4
37	T5783-M10X30	BOLT M10X30-GB5783	4
38	SG70R020	BELLOW CLAMP	2
39	SG70R021	BELLOW	1
40	SG70R022	PISTON ROD	1
41	SG70R023	PISTON PIN	1
42	T893.1-15	RETAINING RING 15-GB893.1	2
43	SG70R024	SPRING CYLINDER	1
44	SG70R025	PROTECTION SLEEVE	1
45	SG70R026	STOPPER, UPPER	1
46	SG70R027	SPRING, INNER	2
47	SG70R028	SPRING, OUTER	2
48	SG70R029	PISTON END	1
49	SG70R030	NUT M18X28	1
50	SG70R031	STOPPER, LOWER	1
51	SG70R032	WASHER 74-GB97.1	1
52	SG70R033	NUT M8	1
53	SG70R034	O-RING 119x5	1
54	SG70R035	FOOT PLATE	1
55	GB5783-M8X25	BOLT M12X12-GB5783	1
56	GB97.1-12	COMBINATION WASHER 12-GB97	1
57	T93-10	SPRING WASHER 10-GB93	4
58	GB5783-M10X25	BOLT M10X25-GB5783	4
59	SG70R036	FOOT ASSY.	1
59-1	SG70R037	METAL SHEET	1
59-2	SG70R038	FOOT	1
59-3	SG70R039	FOOT COVER	1
59-4	GB97-10	WASHER 10-GB97.1	7
59-5	T889-M10	HEXAGONAL NUT M10-GB889	7
59-6	SG70R040	LIFTING HOOK	1
59-7	T93-12	SPRING WASHER 12-GB93	4
59-8	T889-M12	HEXAGONAL NUT M12-GB889	4
59-9	T11-M12X65	SCREW M12X65-GB11	2
59-10	T11-M12X65	SCREW M12X65-GB11	2
59-11	T11-M10X50	SCREW M10X50-GB11	7
78	T70-M20X9	LEVEL GAUGE M20X9-GB1160.2	1
79	SG70R041	RUBBER WASHER 20	1
80	GB93-14	COMBINATION WASHER 14-GB97	1
81	GB5783-M14X12	BOLT M14X12-GB5783	1



60	SG70R042	HANDLE	1
61	GB5783-M8X20	BOLT M8X20-GB5783	4
61-1	GB97-8	WASHER 8-GB97.1	4
61-2	T93-8	SPRING WASHER 8-GB93	4
62	GB5783-M6X30	BOLT M6X30-GB5783	1
63	GB93-6	BUTTERFLY WASHER 6-GB93	1
64	SG70R043	FUEL HOSE	1
65	SG70R044	FUEL COCK	1
66	GB6173-M14X1.5	NUT M14X1.5-GB/T6170-1986	1
67	GB97-6	WASHER 6-GB97.1	1
68	T6170-M6	NUT M6 GB/T6170-1986	1
69	SG70R045	THROTTLE WIRE	1
70	SG70R046	Bone wheel	1
70-1	GB5783-M5X25	BOLT M5X25-GB5783	4
70-2	T6170-M5	NUT M5 GB/T6170-1986	4
71	SG70R047	THROTTLE CONTROL ASSY.	1
72	SG70R048	TANK	1
73	SG70R049	PLASTIC COVER	1
74	SG70R050	TANK CAP	1
75	SG70R051	PROTECTION FRAME, RIGHT FOR SG70H,SG70C, SG70R1, SG70R2, SG70LC,SG80R1, SG80D	1
		PROTECTION FRAME, RIGHT FOR SG80H,SG80R2 & SG80LC	1
76	SG70R052	PROTECTION FRAME, LEFT FOR SG70H,SG70C, SG70R1, SG70R2, SG70LC,SG80R1, SG80D	1
		PROTECTION FRAME, LEFT FOR SG80H,SG80R2 & SG80LC	1
77	SG70R053	BRACKET FOR SG70H,SG70C, SG70R1, SG70R2, SG70LC,SG80R1, SG80D	1
		BRACKET FOR SG80H,SG80R2 & SG80LC	1
78	GB5783-M6X16	BOLT M6X16-GB5783	4
78-1	GB97-6	WASHER 6-GB97.1	4
78-2	T93-6	SPRING WASHER 6-GB93	4
79	GB5783-M10X25	BOLT M10X25-GB5783	3
79-1	T93-10	SPRING WASHER 10-GB93	3
80	GB5783-M8X20	BOLT M8X20-GB5783	8
80-1	GB97-8	WASHER 8-GB97.1	8
80-2	T93-8	SPRING WASHER 8-GB93	8
80-3	T889-M8	HEXAGONAL NUT M8-GB889	8
81	GB5783-M8X35	BOLT M8X35-GB5783	4
81-1	GB97-8	WASHER 8-GB97.1	4
81-2	T889-M8	HEXAGONAL NUT M8-GB889	4